

High-Reliability Power Inductors MS416PJB



- High temperature materials allow operation in ambient temperatures up to 155°C.
- Special construction allows it to pass vibration testing to 80 G and shock testing to 1000 G.
- Tin-lead (Sn-Pb) termination for the best possible board adhesion

Core material Ferrite

Terminations Tin-lead (63/37) over tin over nickel.

Weight 60 – 81 mg

Ambient temperature –55°C to +105°C with Irms current

Maximum part temperature +155°C (ambient + temp rise)

Storage temperature Component: –55°C to +155°C.

Packaging: –55°C to +80°C

Resistance to soldering heat Max three 40 second reflows at +260°C, parts cooled to room temperature between cycles

Moisture Sensitivity Level (MSL) 1 (unlimited floor life at <30°C / 85% relative humidity)

Enhanced crush-resistant packaging 1000/7" reel

Plastic tape: 12 mm wide, 0.25 mm thick, 8 mm pocket spacing, 1.32 mm pocket depth

Recommended pick and place nozzle OD: 4 mm; ID: ≤ 2 mm

Part number ¹	Inductance ² (µH)	DCR max ³ (Ohms)	SRF (MHz) ⁴		Isat (A) ⁵			Irms (A) ⁶	
			min	typ	10% drop	20% drop	30% drop	20°C rise	40°C rise
MS416PJB331MSZ	0.33±20%	0.023	262	375	5.2	5.4	5.6	2.2	3.0
MS416PJB681MSZ	0.68±20%	0.055	154	220	3.5	3.6	3.7	1.4	1.9
MS416PJB102NLZ	1.0±30%	0.060	126	180	2.8	2.9	3.0	1.4	1.9
MS416PJB152MSZ	1.5±20%	0.070	98	140	2.6	2.7	2.8	1.3	1.8
MS416PJB222MSZ	2.2±20%	0.100	80	115	2.3	2.4	2.5	1.0	1.4
MS416PJB332MSZ	3.3±20%	0.100	70	100	1.3	1.4	1.4	1.2	1.6
MS416PJB472MSZ	4.7±20%	0.175	49	70	1.6	1.7	1.8	0.88	1.2
MS416PJB562MSZ	5.6±20%	0.260	42	60	1.5	1.6	1.6	0.68	0.88
MS416PJB682MSZ	6.8±20%	0.340	38	55	1.3	1.3	1.4	0.64	0.78
MS416PJB103MSZ	10±20%	0.350	28	40	0.98	1.0	1.1	0.44	0.60
MS416PJB153MSZ	15±20%	0.550	21	30	0.79	0.82	0.84	0.42	0.58
MS416PJB223MSZ	22±20%	0.600	17	25	0.74	0.78	0.79	0.42	0.56
MS416PJB333MSZ	33±20%	0.825	15	22	0.45	0.47	0.48	0.37	0.49
MS416PJB473MSZ	47±20%	1.40	13	19	0.35	0.37	0.38	0.32	0.42
MS416PJB683MSZ	68±20%	1.70	10	15	0.30	0.32	0.33	0.28	0.37
MS416PJB104MSZ	100±20%	2.40	8.0	12	0.24	0.26	0.27	0.24	0.32
MS416PJB124MSZ	120±20%	3.30	8.0	11.5	0.23	0.24	0.25	0.22	0.29
MS416PJB154MSZ	150±20%	3.50	7.0	10.0	0.21	0.22	0.23	0.20	0.26
MS416PJB184MSZ	180±20%	5.00	5.6	8.0	0.18	0.19	0.20	0.18	0.23
MS416PJB224MSZ	220±20%	5.20	4.9	7.0	0.15	0.16	0.17	0.17	0.22
MS416PJB334MSZ	330±20%	7.20	4.9	7.0	0.14	0.14	0.15	0.14	0.18
MS416PJB474MSZ	470±20%	10.0	2.8	4.0	0.10	0.11	0.12	0.10	0.14
MS416PJB564MSZ	560±20%	12.5	2.5	3.5	0.10	0.105	0.115	0.090	0.11
MS416PJB684MSZ	680±20%	13.5	2.0	3.0	0.10	0.105	0.110	0.090	0.11
MS416PJB824MSZ	820±20%	20.0	2.0	3.0	0.090	0.095	0.095	0.080	0.10
MS416PJB105MSZ	1000±20%	21.5	2.0	3.0	0.080	0.090	0.095	0.080	0.10
MS416PJB155MSZ	1500±20%	35.0	1.7	2.5	0.090	0.090	0.090	0.070	0.090
MS416PJB185MSZ	1800±20%	36.0	1.4	2.0	0.079	0.085	0.087	0.060	0.080
MS416PJB225MSZ	2200±20%	40.0	0.70	1.0	0.079	0.083	0.085	0.060	0.070
MS416PJB335MSZ	3300±20%	76.0	0.66	0.95	0.074	0.078	0.080	0.040	0.050

- When ordering, please specify **screening** code:

MS416PJB335MSZ

Screening: Z = Unscreened

Y = Unscreened (SLDC Option A)

W = Unscreened (SLDC Option B)

H = Coilcraft CP-SA-10001 Group A

G = Coilcraft CP-SA-10001 Group A (SLDC Option A)

D = Coilcraft CP-SA-10001 Group A (SLDC Option B)

1/2/3 = EEE-INST-002 (Family 1) Level 1/2/3

4/5 = MIL-STD-981 (Family 04) Class B=4, Class S=5

F = ESCC3201 (F4 operational life performed at 105°C)

- Screening performed to the document's latest revision.

- Lot qualification (Group B) available.

- Testing T and U have been replaced with more detailed codes 4, 5, and 1, 2, 3, respectively. Codes T and U can still be used, if necessary. Custom testing also available.

- Country of origin restrictions available; prefix options G or F.

- Inductance tested at 100 kHz, 0.1 Vrms using an Agilent/HP 4192A. Inductance at 1 MHz is the same for parts with SRF ≥ 10 MHz.
- DCR measured on a micro-ohmmeter.
- SRF measured using Agilent/HP 8753ES or equivalent.
- DC current at 25°C that causes the specified inductance drop from its value without current.
- Current that causes the specified temperature rise from 25°C ambient. This information is for reference only and does not represent absolute maximum ratings.
- Electrical specifications at 25°C. Refer to Doc 362 "Soldering Surface Mount Components" before soldering.

Document MS433-1 Revised 04/20/23

Coilcraft CPS
CRITICAL PRODUCTS & SERVICES

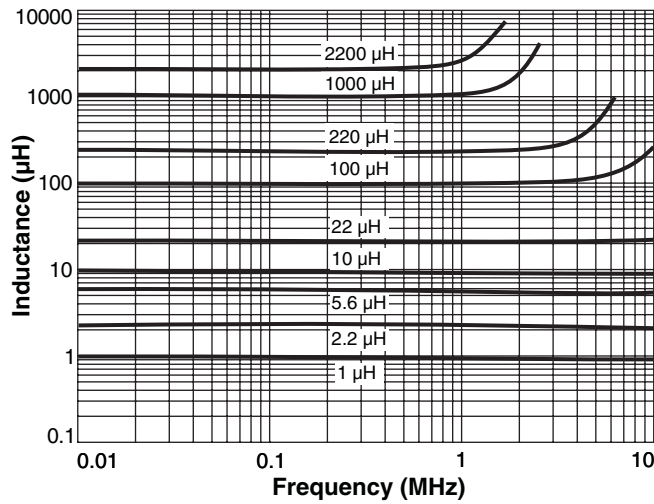
1102 Silver Lake Road
Cary, IL 60013
Phone 800-981-0363

Fax 847-639-1508
Email cps@coilcraft.com
www.coilcraft-cps.com

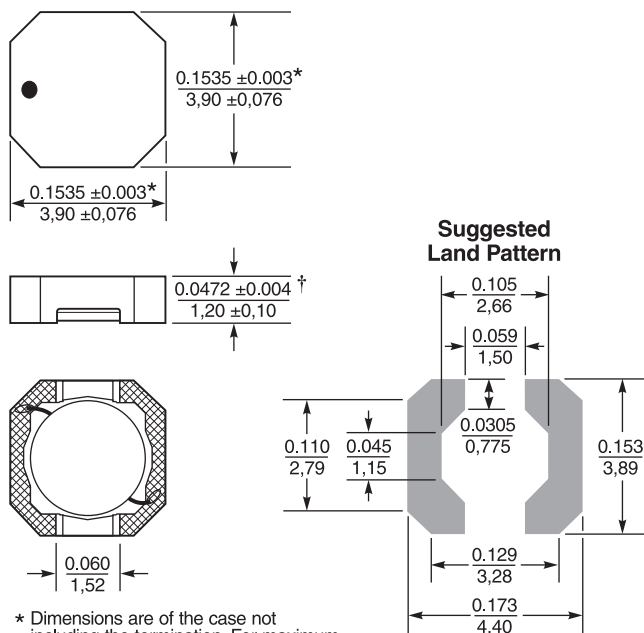
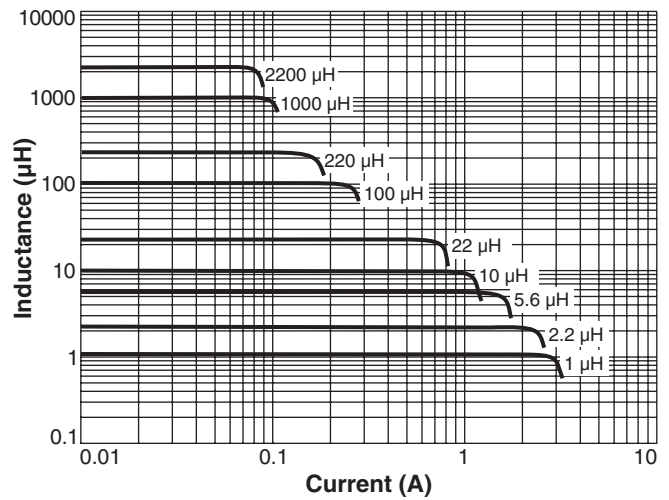
This product may not be used in medical or high risk applications without prior Coilcraft approval. Specifications subject to change without notice. Please check our web site for latest information.

MS416PJB Series (4012)

Typical L vs Frequency



Typical L vs Current



* Dimensions are of the case not including the termination. For maximum overall dimensions including the termination, add 0.010 in / 0,254 mm.

† Height dimension is after mounting. For maximum height dimension before mounting, add 0.006 in / 0,152 mm.

Dimensions are in $\frac{\text{inches}}{\text{mm}}$



CRITICAL PRODUCTS & SERVICES

1102 Silver Lake Road
Cary, IL 60013
Phone 800-981-0363

Fax 847-639-1508
Email cps@coilcraft.com
www.coilcraft-cps.com

Document MS433-1 Revised 04/20/23

This product may not be used in medical or high risk applications without prior Coilcraft approval. Specifications subject to change without notice. Please check our web site for latest information.